

Summer Internship / Industrial Training on Analog Circuit & Layout Design

Why with Entuple?

Entuple Internship / Industrial training is aimed at building deeper insights of domain for you and enable you to be ready for taking up major project in UG / PG programs. Our short-term / Internship / Industrial training programs reinforce the fundamentals and assists you in fine tuning your problem solving capabilities for engineering applications.

Short Agenda

- Fundamentals of Analog Signal Processing
- Review of the generic amplifier performance
- Synthesis of Basic Amplifier Circuit Topologies
- Single and Differential Ended Signaling
- Performance Analysis, Effect of the Amplifier BW limitations on Analog Signal Processing
- The CASCODE Stage, Small Signal AC Performance of CS and Differential Pair & more..

Testimonials from participants

- Good presentation, very informative. Trainer's patience of clearing doubts is excellence.
 - Research Scholar, SCEM, Mangalore
- Excellent program, we gained knowledge of what exactly happening in industry.
 - Faculty, Madras Institute of Technology

Eligibility

- Final year UG/PG students with basic knowledge on VLSI Design

More Details: www.entuple.com/trainings
Registration: www.entuple.com/reg/ipacp

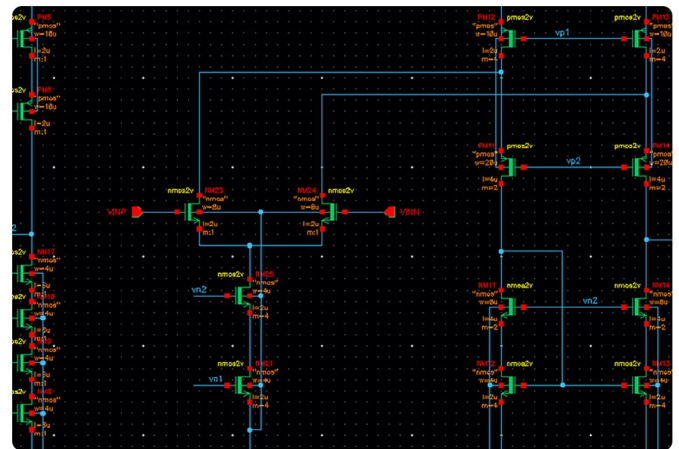
Benefits of Joining

- Application orientated concept learning
- Opportunity to work on industry standard
- Better preparedness for final year project
- Mentoring from experienced resources
- Exposure to industry standard learnings
- Internship/Industrial training certificate

Key Learning Outcomes

At the end of the program you will be able to

- Analyze the performance specification requirements & identify the circuit topologies
- Characterize the PDK for device analog model parameters
- Design CMOS Amplifier circuits for given DC & AC performance parameters & more..



Location

Entuple Technologies Pvt. Ltd.
Paradigm Pear Flat#301, Plot No:75,
Near Crosswind Building, Baner Road,
Pune - 411045

Date & Duration

Starts on 10th June 2019 (4 weeks)

Cost of the training
Rs. 9750 (Inclusive of all taxes)

Note: Certificate will be issued after completion of the training

Contact us on: +91 9513940119 [or] +91 9108987304